

ADVANCED INNOVATION TECHNOLOGY

Advanced Innovation Technology (A.I. Tech) is dedicated to the pursuit and development of new motorsport techniques. Today the design team spend considerable time contracted to manufacturers of Prototype/Studio/Dream cars as well as supplying AE equipment to vehicle manufacturers around Europe.

To this end during recent times the team have been making great steps forward with many innovative products for general release as well as for manufacturers. For instance, **A.I. Tech** now have an expanded range of Steering Wheel Quick Release Bosses. Many hundreds are sold under major brand names (unable to quote due to confidentiality contract clauses). Then there is our ever expanding range of Wheel Studs & Nuts. This product range, for over 25 years being the foundation of the company now offers around 150 applications. Computer aided design and CNC production facilities ensure the highest of efficiency and quality standards.

Teknofibra heat resistant materials are supplied to Motorsport and AE for vehicle manufacture & Motorbikes. This ultra modern material made in Italy is at the forefront of thermal technological design and is a world beater selling exceptionally well.

NEW ELECTRONIC TIMING EQUIPMENT IS ANOTHER AREA OF GROWTH. FOR INSTANCE 2012 SEES THE LAUNCH OF THE NEW AIT-RT2/11, AN ALL NEW CHRONOMETER FOR RALLY USE.

AI Tech instrumentation feature the very latest electronic processors and production

techniques, resulting in unsurpassed build quality that delivers reliability even in the toughest conditions.

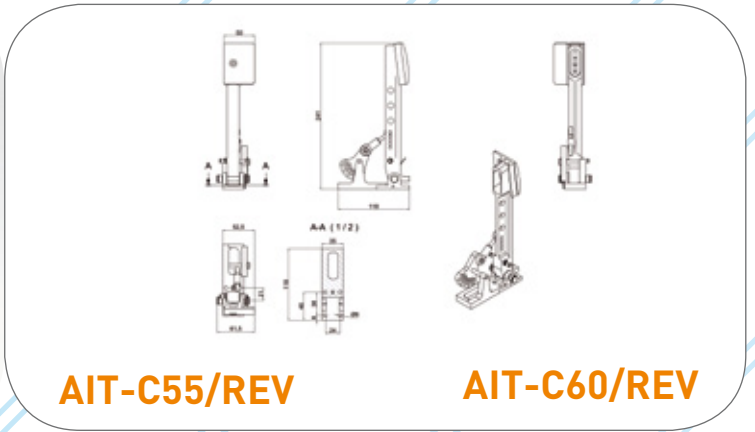
THE PROGRESSIVE MULTI LINGUAL TEAM AT AI TECH ARE PEOPLE OF A HIGH CALIBRE WITH MANY YEARS OF MOTORSPORT ENGINEERING EXPERIENCE. THIS GIVES AI TECH A HEAD START IN THE RACE FOR CUSTOMER SATISFACTION. IMPRESSIVE INVENTORY LEVELS OF STOCK ENSURES DELIVERY TARGETS CAN BE MET FROM THE EVER EXPANDING PRODUCT RANGE USING EXPRESS WORLD WIDE DELIVERY.

... we're ready to win, are you?



index

Universal Pedal Assembly	page 4
Brake Pedal Box and Braking Balance Bar	page 6
Handbrake Levers and Master Cylinder Kits	page 8
Quick Release Steering Wheel Bosses	page 10
Competition steering wheels	page 12
Quick lift for rally cars / Air-Jack and Accessories	page 13
Blow-off and Waste-Gate actuators	page 14
Silicone Hoses for Tuning and Competition	page 15
Thermal and acoustic insulation materials	page 16
Special head gaskets and head bolts / Tow Hooks	page 17
Special Nuts, Studs and Bolts for wheels	page 18
Datasheet for Special Nuts, Studs and Bolts for wheels	page 19
Clutch drive discs, pressure plates and lightweight steel flywheels	page 20
Fibre drive discs and uprated clutch pressure plates assemblies	page 21
Special dashboard, gauges and chronometers	page 22
Extra-light starter batteries Energa	page 23



AIT-C55/REV

AIT-C60/REV

ASSEMBLED WITH THROTTLE PEDAL

Note: Photo for illustration purposes only. Kit contents to be confirmed with order.

UNIVERSAL PEDAL ASSEMBLY AIT-C50 is engineered to be easily adaptable to practically any floor board. Constructed using very high strength light weight materials ensuring performance and safety. The pedal contact surface is covered with an anti-slip material and offers 30mm of adjustment.

- Base 300 mm x 150 mm
- Overall height 255/285 mm (adjustable pedal)
- Overall width 260 mm (from threaded ends)
- Pedal spacing 100 mm centre
- Weight approx. 2.4 kg

Optional parts available separately: balance bar **AIT-BLC10** (as used in all A.I.Tech. pedal boxes) 128 mm shaft, fulladjustment brake balance bar manufactured from very high strength steel. Balance bar remote adjuster cable **AIT-CR110** a new very flexible cable featuring a 4 quarter detent positioning system and a large Red hexagonal anodised knob. **AIT-FRP** Self adhesive anti-skid pedal friction pads (supplied in kits of 3 pieces).

NEW FOR 2012 IS THE AIT-C52/11

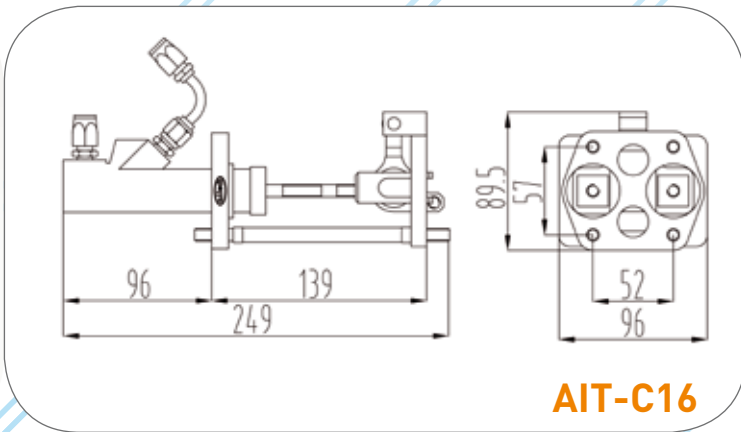
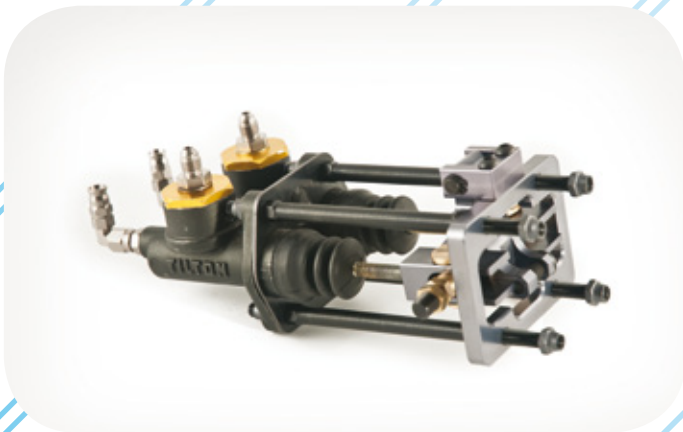
This practical pedal assembly features both an aesthetically pleasing design and the strength of Ergal Aluminium pedals similar to the higher specification AIT-C55 pedal assembly. The specification includes height adjustable foot pads with adequate foot spacing for those with generous foot sizes. The brake pedal accepts the AIT-BLC10 Balance bar in conjunction with the AIT-CR110 remote cable adjuster. All main stream master cylinders can be used with the pedal assembly.

The master cylinder & pedal mounting plate is fabricated & folded from high tensile steel for strength and economy. (A flat floor option is available AIT-C52/11F) Total weight is only 2.10 Kg.

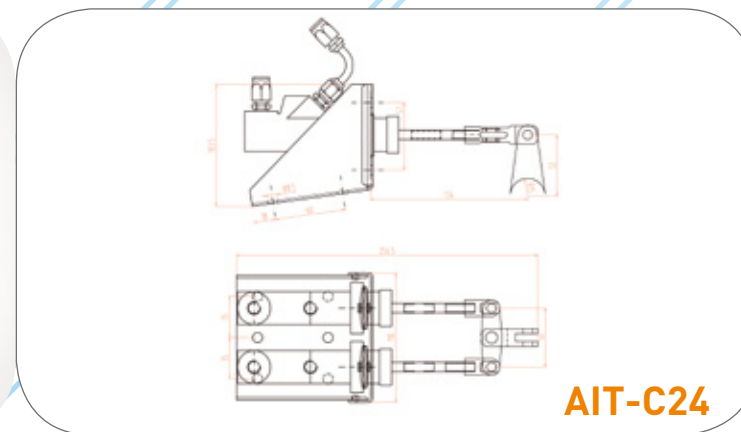
A new brake system offered to customers is the AIT-C55/08 (three pedal assy floor mount) and the AIT-C60 (three pedal assy for hung pedals).

- Very safe and strong mechanisms incorporating light weight and compact design.
- CAD drawn and CNC machined from Ergal aluminium billet.
- Adjustable pedal positions for both height, width/floor fixing.
- High tensile grade steel bolts and nuts.
- Design accepts all major manufacturers master cylinders (Alcon-Tilton-AP-Girling-Brembo).
- The adjustable stroke throttle pedal features double return spring & can accommodate push or pull throttle systems.
- Base mounting: 150 x 310 mm. (width can be easily reduced down to 270 mm if desired).
- Pedal height adjustments available from 210 mm to 242 mm.
- Pedal width adjustments available from 230 mm to 300 mm.
- Pedal assy weight including balance bar, master cylinders, bolts etc ONLY 2.85 kgs. - Weight w/o flat base: 2.00 kgs.

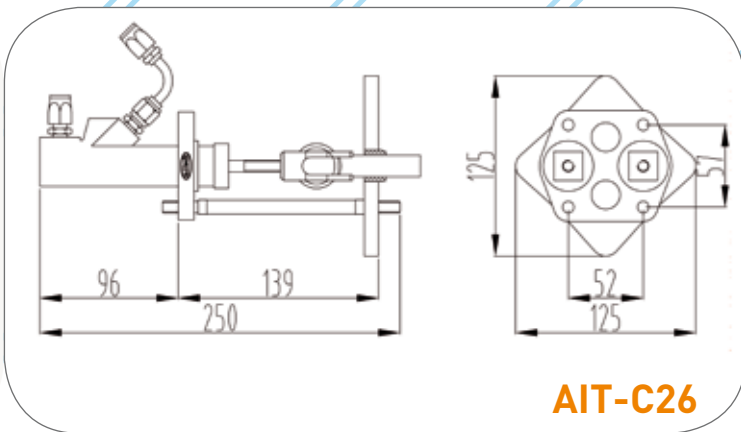
BRAKE PEDAL BOX AND BRAKING BALANCE BAR



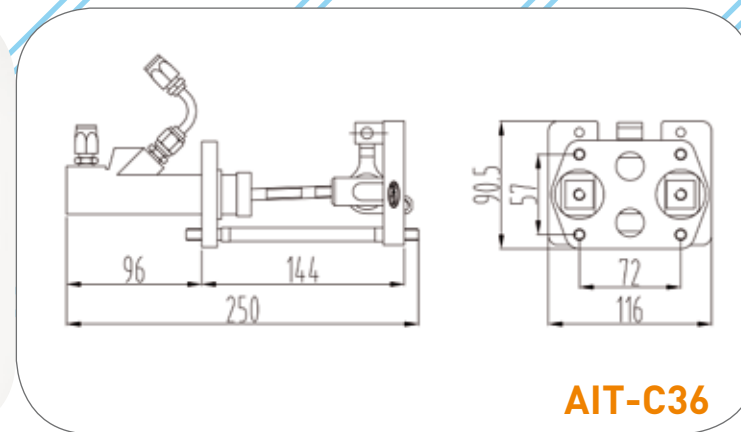
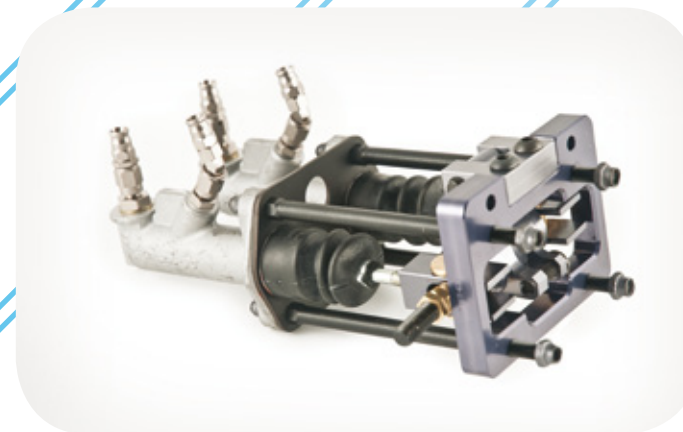
AIT-C16



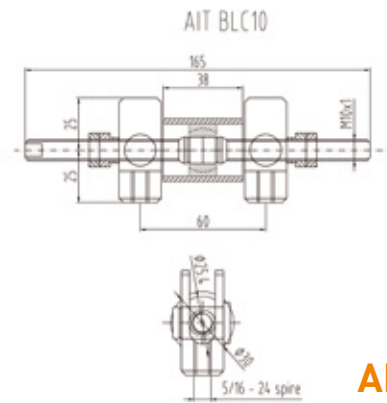
AIT-C24



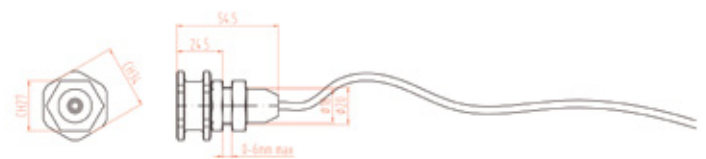
AIT-C26



AIT-C36



AIT-BLC10



AIT-CR110

Note: Photo for illustration purposes only. Kit contents to be confirmed with order.

In modern racing cars, brake bias and balance is critical to the overall car setup. **A.I.Tech.** offers a wide choice of brake boxes either for direct brake pedal or servo assistance systems. Both types have the balance bar fitted within the assembly. Cockpit remote cable adjusters can be ordered separately. You may ask for master cylinders, hoses and fittings.

Braking balance bar **AIT-BLC10** is an essential component for braking balance adjustment constructed in 39NiCrMo3 treated steel which is then threaded using a thread rolling process so as not to compromise strength compared to conventional threading procedures.

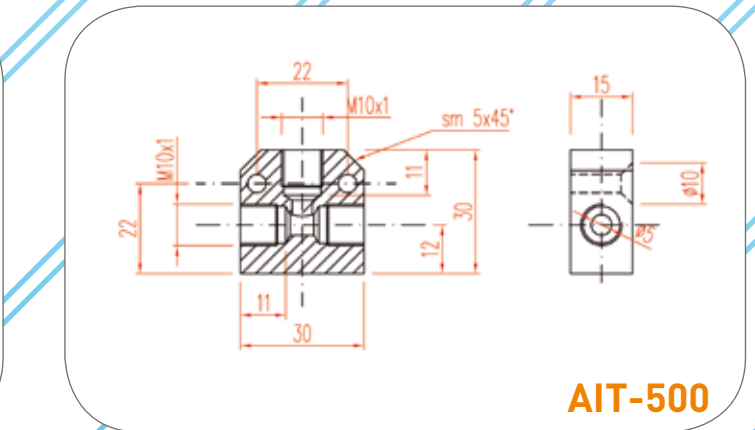
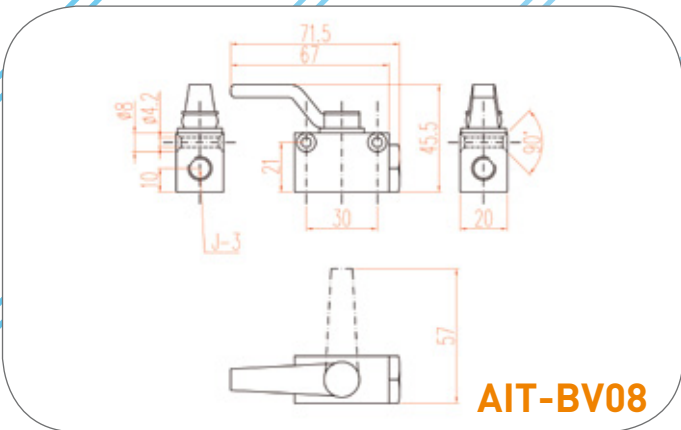
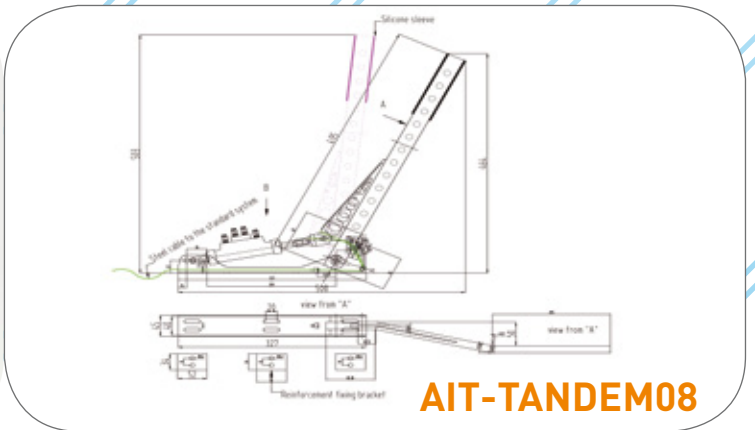
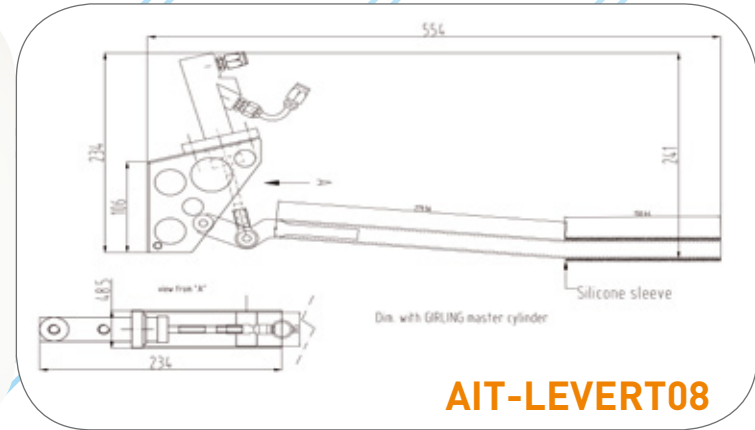
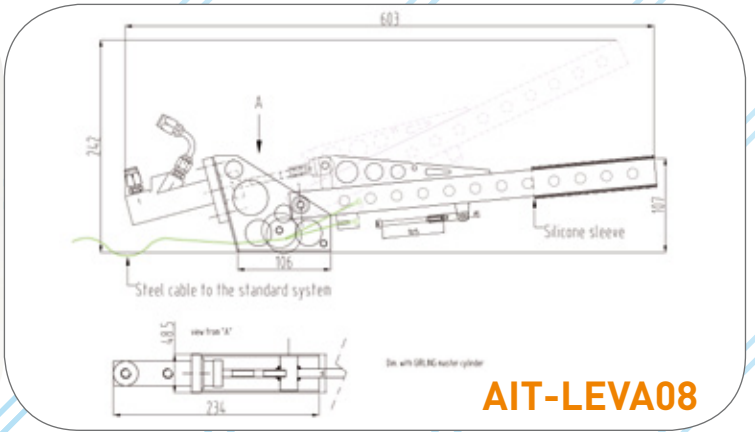
The **AIT-BLC10** is the same balance bar used in the AIT-C16, 26 and 36 brake pedal box assemblies for several years, ensuring safety, reliability and quick adjustment.

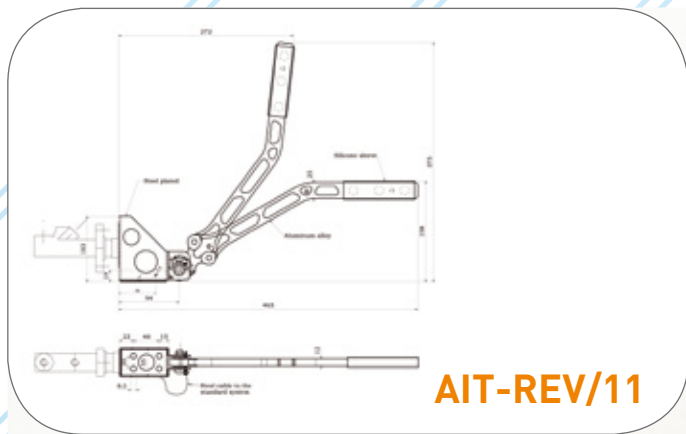
Suggested applications: **AIT-C16** for small and medium cars, **AIT-C26** universal for servobrakes, **AIT-C36** for big cars and 4x4 off-road.

AIT-CR110 Balance bar remote adjuster cable **AIT-CR110** a new very flexible cable featuring a 4 quarter detent positioning system and a large Red hexagonal anodised knob. **AIT-FRP** Self adhesive anti-skid pedal friction pads (supplied in kits of 3 pieces).

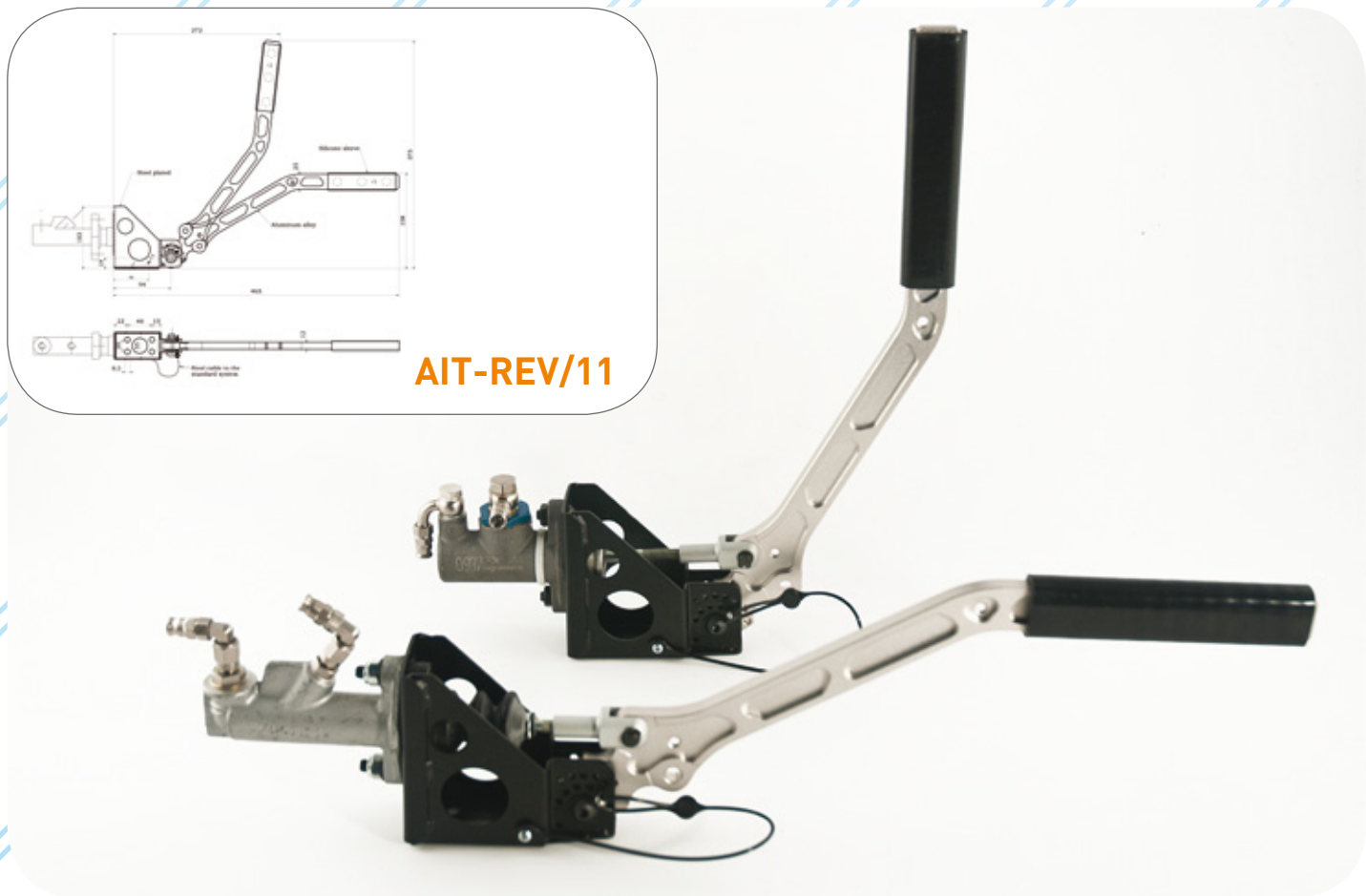
AIT-C24 Historic/Classic car pedal box features a choice of three balance bar positions.

HANDBRAKE LEVERS AND MASTER CYLINDER KITS





AIT-REV/11



Note: Photo for illustration purposes only. Kit contents to be confirmed with order.

New for 2012 is a redesign of the very popular Aluminium vertical & horizontal handbrake assys.

The most outstandingly unique feature is that one **AIT-REV11** hand brake lever assy can be made either vertical or horizontal by simply reversing the lever itself. Try it both ways with no extra cost!

The total weight of the assembly has been kept below 700 grams.

Ergal aluminium material is used for the lever. It is firstly laser cut from a billet and then CNC machined incorporating weight saving of the lever shaft. (Alternative lever lengths can be supplied by special order if required).

The alloy is then hard anodised for long life scratch resistance and aesthetic looks.

The anti-slip silicone sleeve gives a positive glove feel during hard driving.

For hands free parking a novel vernier and pin style location is incorporated into the lever mounting.

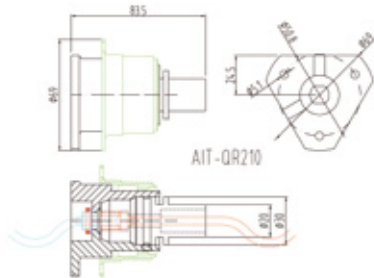
The high tensile steel mounting is finished in matt black.

Handbrake lever new production a revised specification. Longer levers for less driver effort, lighter weight with no loss of strength plus the addition of the new **A.I.Tech** cable system. Most O.E. hand brake cables can be easily attached to the new levers therefore meeting production and use legislation and FIA regulations (AIT-LEVA08 & AIT-TANDEM).

AIT-BV08 Installed after of the handbrake, when closed locks off pressurised rear brake system for wheel changing/short time parking, etc. Total external dimensions: 71,5 mm x 57 mm x h. 45,5 mm.

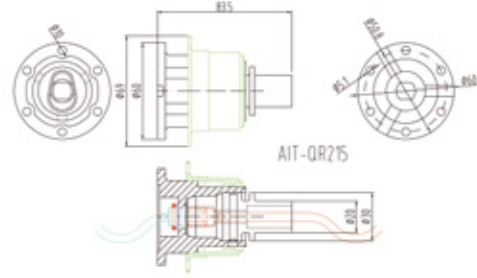
AIT-500KIT 3 ways junction (M10 thread) ergal alloy with fixing bolts (without fittings).

QUICK RELEASE STEERING WHEEL BOSSES



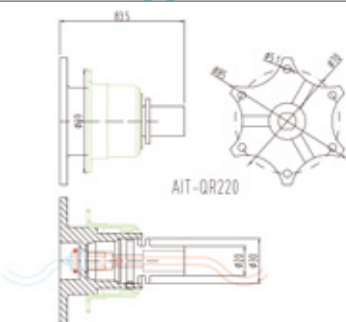
L'innesto rapido AIT-QR210 è realizzato per potere montare i connettori elettrici LEMO: ECG 18 374.CLL - FAG 18 374.CL.
I connettori Lemo NON vengono forniti con gli innesti rapidi A1TECH.
AIT-QR210 has been project and manufactured to suit the Lemo connectors: ECG 18 374.CLL - FAG 18 374.CL.
The Lemo connectors are NOT provided together with A1TECH quick release.

AIT-QR210



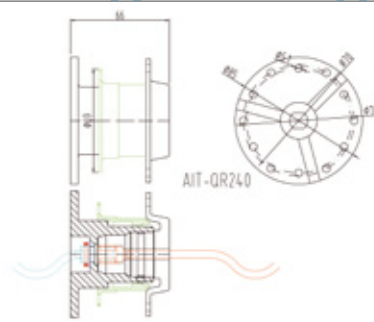
L'innesto rapido AIT-QR215 è realizzato per potere montare i connettori elettrici LEMO: ECG 18 374.CLL - FAG 18 374.CL.
I connettori Lemo NON vengono forniti con gli innesti rapidi A1TECH.
AIT-QR215 has been project and manufactured to suit the Lemo connectors: ECG 18 374.CLL - FAG 18 374.CL.
The Lemo connectors are NOT provided together with A1TECH quick release.

AIT-QR215



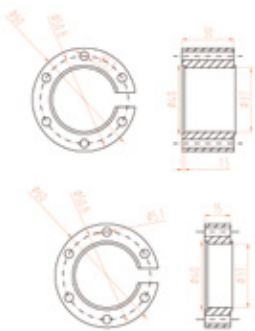
L'innesto rapido AIT-QR220 è realizzato per potere montare i connettori elettrici LEMO: ECG 18 374.CLL - FAG 18 374.CL.
I connettori Lemo NON vengono forniti con gli innesti rapidi A1TECH.
AIT-QR220 has been project and manufactured to suit the Lemo connectors: ECG 18 374.CLL - FAG 18 374.CL.
The Lemo connectors are NOT provided together with A1TECH quick release.

AIT-QR220



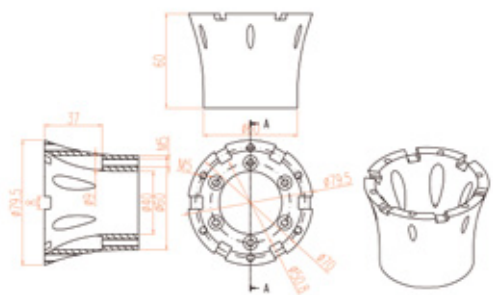
L'innesto rapido AIT-QR240 è realizzato per potere montare i connettori elettrici LEMO: ECG 18 374.CLL - FAG 18 374.CL.
I connettori Lemo NON vengono forniti con gli innesti rapidi A1TECH.
AIT-QR240 has been project and manufactured to suit the Lemo connectors: ECG 18 374.CLL - FAG 18 374.CL.
The Lemo connectors are NOT provided together with A1TECH quick release.

AIT-QR240



AIT-QR.SP15

AIT-QR.SP30



AIT-QR.HUB60

- AIT-QR210** Formula 3 holes M5 PCD 50 mm
- AIT-QR215** Touring 6 holes x M5 PCD 50 mm
- AIT-QR220** Touring 6 holes x M5 PCD 70 mm Momo-Omp-Sabelt-Sparco
- AIT-QR240** Gr. N 6 + 6 double holes Momo/Omp - Nardi/Motolita
- AIT-QR245** Gr. N 6 + 6 double holes Momo/Omp - Nardi/Motolita with steel hub
- AIT-QR.SP15** Spacer 15 mm for AIT-QR215
- AIT-QR.SP30** Spacer 30 mm for AIT-QR215
- AIT-QR.HUB60** Special 60 mm Hub adaptor for AIT-QR215

COMPETITION STEERING WHEELS



AIT-STW280



AIT-STW320E



AIT-STW330/2



AIT-STW350/3

A.I.Tech steering wheels - 2012 range

We offer wheels for Race, Rally and Formula cars in various styles and dish depth with standard 3 and 6 bolt fittings. Finished in black suede leather.

AIT-STW280 280 mm Sport and Formula application.
Black suede leather, 3 spokes flat (3 holes x 52 mm pcd. or blank)

AIT-STW280/F 280/230 mm Sport and Formula application.
Black suede leather, 3 spokes flat (3 holes x 52 mm pcd. or blank)

AIT-STW320E 320 mm

AIT-STW330/2 330 mm Rally and Touring cars.
Black suede leather, 2 spokes dished 90 mm (6 holes x 70 mm pcd.)

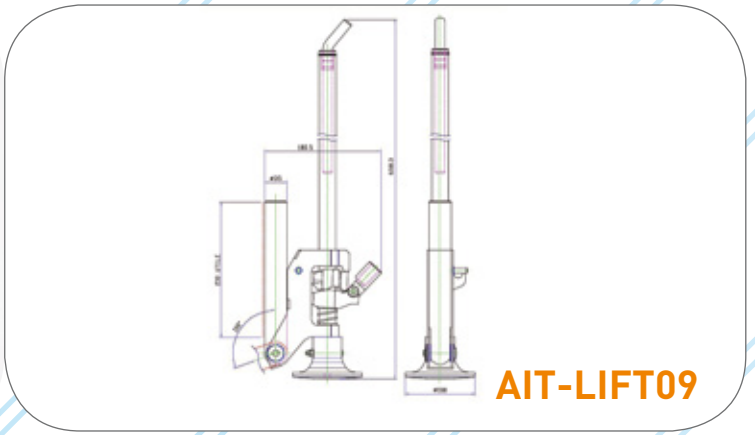
AIT-STW330/F 330 mm Rally and Touring cars.
Black suede leather, 3 spokes flat (6 holes x 70 mm pcd.)

AIT-STW350/2 350 mm Rally and Touring cars.
Black suede leather, 2 spokes dished 90 mm (6 holes x 70 mm pcd.)

AIT-STW350/3 350 mm Rally and Touring cars.
Black suede leather, 3 spokes dished 75 mm (6 holes x 70 mm pcd.)

AIT-STW350/F 350 mm Rally and Touring cars.
Black suede leather, 3 spokes flat (no dished) (6 holes x 70 mm pcd.)

QUICK LIFT FOR RALLY CARS

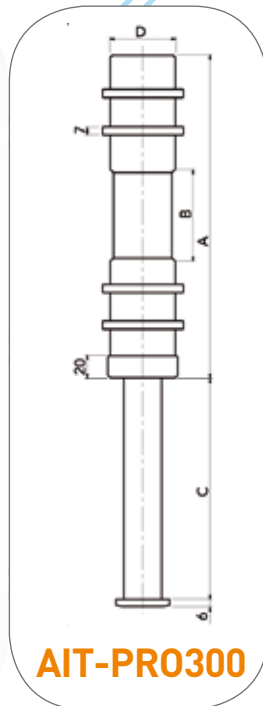


AIT-LIFT09

Pivot action machined from billet steel. Exceptionally strong design 14 strokes lift most cars with flat tyre in 10 seconds - Zero down. Alloy foot with roll feature. Supplied with lifting pin to your diameter at no extra cost. Separate/additional lifting pins available on request. The lifting system of this impressive jack is exceptionally strong as it is machined billet steel.

AIT-LIFT09 is the rotating adjustable pivot that allow a more vertical lifting in comparison of the past models (available on market soon). The shaft is cold drawn steel tube and the foot Ergal alloy. This lift is durable, trouble free and virtually unbreakable enabling us to offer you a 3 year warranty with every jack. This quick lift jack must not be confused with any previous or "similar looking" jack on the market.

AIR-JACK AND ACCESSORIES



A.I.TECH AIR-JACK

High strength aluminium airjacks offering high stability and featuring innovative design, very fast release, 230 mm stroke and 300 mm stroke available. In this range is available a new 600 mm airjack wich is suggested for heavy 4x4 off-road and race trucks. The Pro serie has 50 mm foot for greater stability and safety.

AIT-AJ230/AIT-PRO230 High strength aluminium air-jacks for race cars (A) 304 / (B) 80 / (C) 230 / (D) 59 mm.

AIT-AJ300/AIT-PRO300 High strength aluminium air-jacks for race cars (A) 354 / (B) 130 / (C) 300 / (D) 59 mm.

AIT-AJ600 High strength aluminium air-jacks for race TRUCKS (A) 740 / (B) 340 / (C) 600 / (D) 148 mm.

AIT-TJ220/AIT-TJP220 Steel tower for extra lift at the standard air-jack stroke for cars.

AIT-AJ600 Steel tower for extra 600 mm lift at the standard air-jack lifts for trucks.

AIT-SJ230/AIT-SJP230 Cast aluminium safety prop system 230 mm stroke.

AIT-SJ300/AIT-SJP300 Cast aluminium safety prop system 300 mm stroke.

AIT-SJ600 Cast aluminium safety prop system 600 mm stroke.

AIT-CM10 Air male connection to the car.

AIT-CF10 Air FEM. connection to the hose.

BLOW-OFF AND WASTE-GATE ACTUATORS



A.I.Tech dump valves reduce turbo lag and turbine stalling. Options include: closed circuit or venting to air, Kevlar/silicone rubber diaphragm or piston type valves. Service parts available: replacement diaphragms, springs and pistons. **A.I.Tech** waste gate actuators are available with alternative strokes and springs of alternative strength.

AIT-B-OFF-K Turbo dump valve venting to air

AIT-B-DEB-K Turbo dump valve for recycle closed circuit

AIT-B-DEB-KS as above for SUBARU Impreza till '99 m.y.

AIT-B-KS99 as above for SUBARU Impreza till '00 m.y.

AIT-B-KS01 as above for SUBARU Impreza from '01 m.y.

AIT-B-RIC Rebuild kit (membrane, spring, cup, nylon rings for above "B" Type)

AIT-B-RIC 2 Heavy duty spare spring "type 2" with nylon rings

AIT-B-RIC 3 Heavy duty spare spring "type 3" with nylon rings

AIT-OFF-AJ10 Dump valve-piston type adjustable (red - blue or silver)

AIT-DEB-AJ10 Recycle closed circuit, dump valve-piston type (red-blue or silver)

AIT-W-G07 Valve Waste Gate universal (red-blue or silver)

SILICONE HOSES FOR TUNING AND COMPETITION

A.I.Tech has now its own silicone hose production. Very high resistance at UVA and UVI rays, these hoses are designed for continuous use in heating and coolant system at extreme temperatures - 60°C to + 180°C. These upgraded hoses and stronger parts are interchangeable with standard hoses. These hoses do not change the internal diameter also if under V.H. pressures. All these hoses are available in shiny blue, (red, yellow, orange, green, black and matt black finishing colours on demand). The high pressure range is between 5.6 and 12.7 bars. Also available more kits for cars, dont hesitate to contact us.

The recommended working pressure is from 2.1 to 4.2 bar (pressure depending on shape and size). The straight lengths are of 1 mt with inside diameter ranging from 6 mm to 127 mm. **A.I.Tech** also manufacture elbows of any angle, reducers, multiple bends, convoluted, corrugated or spiral reinforced hoses. More than 200 **A.I.Tech** silicone hoses available: quotations on demand.

AHL6.5 Straight 1 mt. Length I.d. 6,5 mm
AHL8.0 Straight 1 mt. Length I.d. 8 mm
AHL9.5 Straight 1 mt. Length I.d. 9,5 mm
AHL11 Straight 1 mt. Length I.d. 11 mm
AHL13 Straight 1 mt. Length I.d. 13 mm
AHL16 Straight 1 mt. Length I.d. 16 mm
AHL19 Straight 1 mt. Length I.d. 19 mm
AHL22 Straight 1 mt. Length I.d. 22 mm
AHL25 Straight 1 mt. Length I.d. 25 mm
AHL28 Straight 1 mt. Length I.d. 28 mm
AHL30 Straight 1 mt. Length I.d. 30 mm
AHL32 Straight 1 mt. Length I.d. 32 mm
AHL35 Straight 1 mt. Length I.d. 35 mm
AHL38 Straight 1 mt. Length I.d. 38 mm
AHL41 Straight 1 mt. Length I.d. 41 mm
AHL45 Straight 1 mt. Length I.d. 45 mm

AHL48 Straight 1 mt. Length I.d. 48 mm
AHL51 Straight 1 mt. Length I.d. 51 mm
AHL54 Straight 1 mt. Length I.d. 54 mm
AHL57 Straight 1 mt. Length I.d. 57 mm
AHL60 Straight 1 mt. Length I.d. 60 mm
AHL63 Straight 1 mt. Length I.d. 63 mm
AHL65 Straight 1 mt. Length I.d. 65 mm
AHL68 Straight 1 mt. Length I.d. 68 mm
AHL70 Straight 1 mt. Length I.d. 70 mm
AHL76 Straight 1 mt. Length I.d. 76 mm
AHL80 Straight 1 mt. Length I.d. 80 mm
AHL83 Straight 1 mt. Length I.d. 83 mm
AHL89 Straight 1 mt. Length I.d. 89 mm
AHL102 Straight 1 mt. Length I.d. 102 mm
AHL114 Straight 1 mt. Length I.d. 114 mm
AHL127 Straight 1 mt. Length I.d. 127 mm



AHL30FAB Straight 1 mt. Length I.d. 30 mm Cloth black
AHL32FAB Straight 1 mt. Length I.d. 32 mm Cloth black
AHL35FAB Straight 1 mt. Length I.d. 35 mm Cloth black
AHL38FAB Straight 1 mt. Length I.d. 38 mm Cloth black

AE30FAB Elbow 30 mm I.d. 45° or 90°
AE32FAB Elbow 32 mm I.d. 45° or 90°
AE35FAB Elbow 35 mm I.d. 45° or 90°
AE38FAB Elbow 38 mm I.d. 45° or 90°

New version in fabric finish - matt black colour (ideal for Historical and Classic cars)

ASHJ13 Straight aluminium hose joiners I.d. 13 mm
ASHJ16 Straight aluminium hose joiners I.d. 16 mm
ASHJ19 Straight aluminium hose joiners I.d. 19 mm
ASHJ22 Straight aluminium hose joiners I.d. 22 mm
ASHJ25 Straight aluminium hose joiners I.d. 25 mm
ASHJ28 Straight aluminium hose joiners I.d. 28 mm
ASHJ32 Straight aluminium hose joiners I.d. 32 mm
ASHJ35 Straight aluminium hose joiners I.d. 35 mm
ASHJ38 Straight aluminium hose joiners I.d. 38 mm
ASHJ41 Straight aluminium hose joiners I.d. 41 mm
ASHJ45 Straight aluminium hose joiners I.d. 45 mm
ASHJ48 Straight aluminium hose joiners I.d. 48 mm
ASHJ51 Straight aluminium hose joiners I.d. 51 mm
ASHJ54 Straight aluminium hose joiners I.d. 54 mm
ASHJ57 Straight aluminium hose joiners I.d. 57 mm

ASHJ60 Straight aluminium hose joiners I.d. 60 mm
ASHJ63 Straight aluminium hose joiners I.d. 63 mm
ASHJ70 Straight aluminium hose joiners I.d. 70 mm
ASHJ76 Straight aluminium hose joiners I.d. 76 mm

AIT-ALU32 Elbow aluminium hose joiners I.d. 32 mm
AIT-ALU35 Elbow aluminium hose joiners I.d. 35 mm
AIT-ALU38 Elbow aluminium hose joiners I.d. 38 mm
AIT-ALU45 Elbow aluminium hose joiners I.d. 45 mm
AIT-ALU51 Elbow aluminium hose joiners I.d. 51 mm
AIT-ALU57 Elbow aluminium hose joiners I.d. 57 mm
AIT-ALU63 Elbow aluminium hose joiners I.d. 63 mm

Elbows available in 45° and 90° angles

AE6.5 Elbow 6,5 mm I.d.
AE8.0 Elbow 8 mm I.d.
AE9.5 Elbow 9,5 mm I.d.
AE11 Elbow 11 mm I.d.
AE13 Elbow 13 mm I.d.
AE16 Elbow 16 mm I.d.
AE19 Elbow 19 mm I.d.
AE22 Elbow 22 mm I.d.
AE25 Elbow 25 mm I.d.
AE28 Elbow 28 mm I.d.
AE30 Elbow 30 mm I.d.
AE32 Elbow 32 mm I.d.

AE35 Elbow 35 mm I.d.
AE38 Elbow 38 mm I.d.
AE41 Elbow 41 mm I.d.
AE45 Elbow 45 mm I.d.
AE48 Elbow 48 mm I.d.
AE51 Elbow 51 mm I.d.
AE54 Elbow 54 mm I.d.
AE57 Elbow 57 mm I.d.
AE60 Elbow 60 mm I.d.
AE63 Elbow 63 mm I.d.
AE65 Elbow 65 mm I.d.
AE68 Elbow 68 mm I.d.

AE70 Elbow 70 mm I.d.
AE76 Elbow 76 mm I.d.
AE80 Elbow 80 mm I.d.
AE83 Elbow 83 mm I.d.
AE89 Elbow 89 mm I.d.
AE102 Elbow 102 mm I.d.
AE114 Elbow 114 mm I.d.
AE127 Elbow 127 mm I.d.

Elbows available in 45° and 90° angles



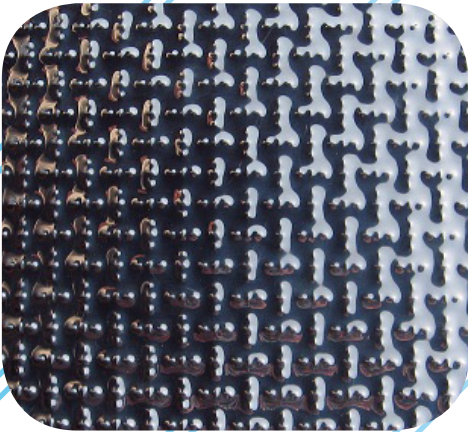


TEKNOFIBRA SHEET

Teknofibra material is a 21st Century product with features that NO other heat materials can offer.

Main features:

- Heat resistance up to 800 degrees C
- High acoustic properties
- Very light weight
- Carbon Thermal heat barrier
- High flexibility for easy fitment
- Self adhesive
- Available in sheets 1m x 0.73 m or in rolls 1.46 m x 20 metres
- Available in 2 mm thickness or 4 mm for increased thermal/acoustic resistance



TEKNOFIBRA CONTACT

Main features:

- Ultra high heat resistance of up to 1000 degrees C
- Increased strength/durability over Teknofibra sheet
- Light weight
- Carbon Thermal heat barrier
- Robust reflective surface capable of being formed into self supporting shapes if/when desired
- Self adhesive
- Available in sheets 62 cm x 27 cm



TEKNOFIBRA TUBE

Main features:

- Tubes from (10 mm) to (50 mm)
- Manufactured from the same material as the sheet & sewn together using Kevlar thread.
- Tubes have aluminium liner for ease of threading pipes/cables
- Available in 1 meter lengths

AIT-S-LITE E-glass fiber fabric, 1 side coated with a metal aluminum film, 1 side with pressure adhesive film. Weight ca. 400 g/m (quadro), size 1 mtr x 1 mtr. nominal thickness about 0.6 mm th. Self adhesive.

AIT-S-GLASS E-glass fiber fabric, 1 side coated with alupolymer film, 1 side with pressure adhesive film. Weight 1 kg/m (quadro), size 1 mt. x 1mt. x 1.1mm thickness. Self adhesive.

AIT-S-FELL E-glass needled felt (9 mm), 1 side with metal aluminum film, 1 side with pressure sensitive adhesive. Nominal thickness from, weight (according the thickness) from 0.9 a 1.1 kg/m (quadro) size 1 mtr. x 1.0 mm thickness.

AIT-S-ECO Mylar blanket, simple layer heat shield not self adhesive. Size 1 mt x 1 mt x 0.5 mm thickness.

AIT-S-ALL Fiber reinforced 120 micron aluminium foil, self strong adhesive roll. 50 mt lenght - 50 mm height.

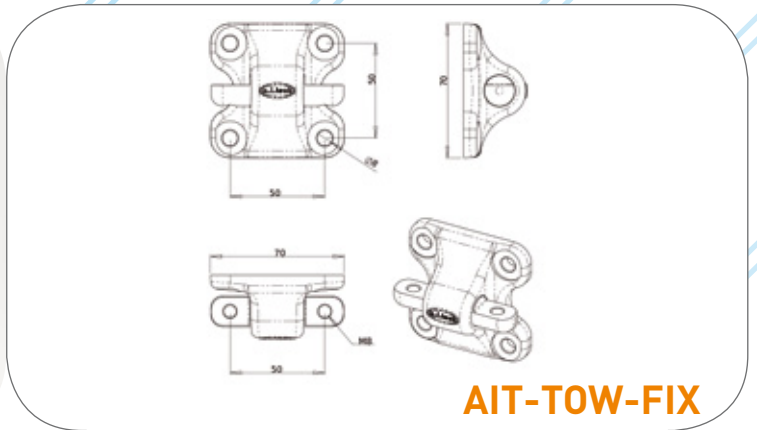
SPECIAL HEAD GASKETS AND HEAD BOLTS



Wide range of special gaskets for sports cars, racing cars, vintage cars. We can supply gaskets of various thickness and piston diameters from custom-designed shapes and sizes. We can also offer gaskets taken from samples or from design guaranteeing highest quality standards. The materials used are carefully selected and are chosen from highest technology, guaranteeing maximum resistance and the highest of performance.

A.I.Tech special cylinder head bolts are direct replacement for the standard bolts. These bolts are made from very high tensile steel blanks. Basic machining is carried out prior to heat treating and then finally the finishing process cleans up the thread profile. These bolts help to protect the head gasket integrity in uprated engines. Special group A and WRC cyl. head bolts are available on demand.

TOW HOOKS



AIT-TOW-FIX



AIT-TOW80/60

Special aluminum towing eye as per FIA specification, cut from 8 mm thick ergal alloy billet. Are sold complete with high tensile m8 bolts and nuts. These tow hooks are offered in three different sizes (60 mm and 80 mm) all in red or yellow colour.

AIT-TOW-FIX connection between **AIT-TOW** and car body .

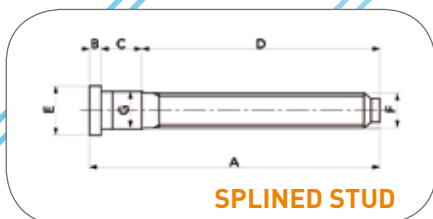
SPECIAL NUTS, STUDS AND BOLTS FOR WHEELS



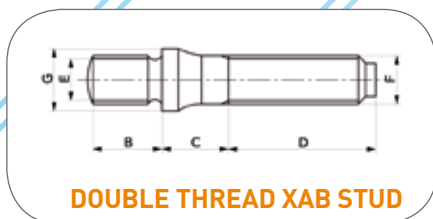
We offer specialty wheel studs and bolts manufactured from high tensile steel which undergo a thread rolling process to reduce the risk of fatigue related failures.

Knowledge from our competition experience has led us to use a dissimilar material for the nut from that for the wheel stud. The additional copper coating of the nut assures security.

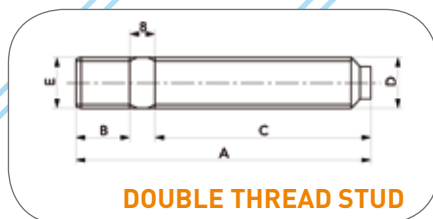
The latest addition to our range is the competition quality special aluminum wheel nut manufactured in Ergal 7075.



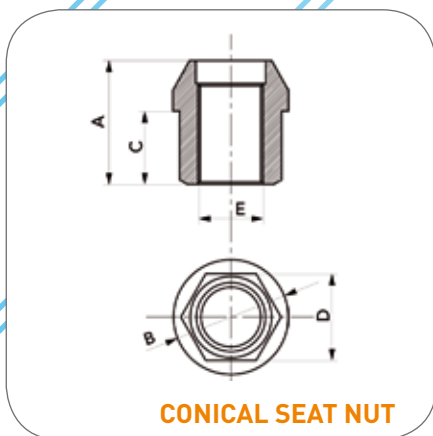
SPLINED STUD



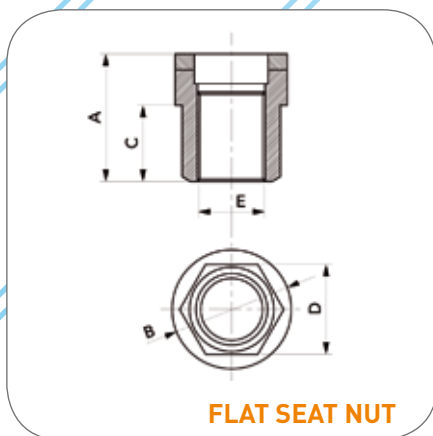
DOUBLE THREAD XAB STUD



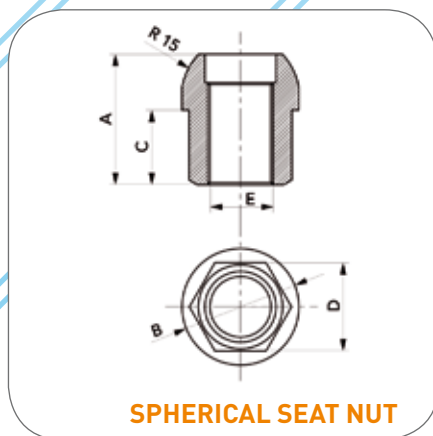
DOUBLE THREAD STUD



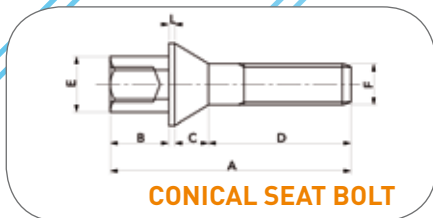
CONICAL SEAT NUT



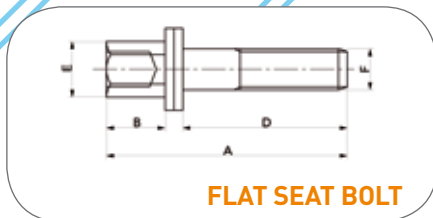
FLAT SEAT NUT



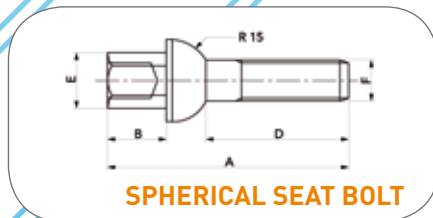
SPHERICAL SEAT NUT



CONICAL SEAT BOLT



FLAT SEAT BOLT



SPHERICAL SEAT BOLT

Datasheet for special nuts, studs and bolts for wheels

SPLINED STUD

Ref.	A	B	C	D	E	F	G	Application
AIT-68C	68	4	14	50	17	12 x 1,5	12,8	Ford
AIT-82C	82	4	14	64	17	12 x 1,5	12,8	Ford
AIT-100C	100	4	14	82	17	12 x 1,5	12,8	Ford
AIT-65CH	65	4	15	45	20	1/2" UNF	15,7	Chrysler
AIT-68CH	68	4	7	57	20	12 x 1,5	14,9	Chrysler
AIT-75G	75	4	11	59,5	20	14 x 1,5	14,3	Porsche
AIT-100G	100	5	13	82	20	14 x 1,5	14,8	Porsche
AIT-64HY	64	4	10	50	17	12 x 1,5	14,4	Hyundai
AIT-68H	68	5	11	52	19	12 x 1,5	12,3	Honda
AIT-61M	61	4	8	42	20	12 x 1,5	14,7	Mazda
AIT-65M	65	4	11	50	17	12 x 1,5	13	Mazda
AIT-67MIT	67	3	7	57	18	12 x 1,5	14,2	Mitsubishi
AIT-62N	62	5	7	50	20	12 x 1,25	14,2	Nissan
AIT-64N	64	4	10	50	19	12 x 1,25	12,8	Nissan
AIT-60R	60	4	11	45	18	12 x 1,5	12,3	Rover
AIT-66S	66	5	10	51	19	12 x 1,25	14,2	Subaru
AIT-68STR	68	9	15	51	24	14 x 1,5	16,9	Lancia Stratos
AIT-73T	73	5	9	59	18	12 x 1,5	14,3	Toyota
AIT-69V	69	4	10	55	18	12 x 1,5	12,4	Volvo
AIT-70V	70	5	17	48	21	12 x 1,5	16,3	Volvo
AIT-72J	72	5	10	57	18	1/2" UNF	13,7	Jaguar/Aston Martin
AIT-59D	59	3	10	46	19	12 x 1,25	12,4	Daewoo/Matiz
AIT-70AR	70	5	10	55	20	12 x 1,5	13,8	Alfa Romeo (old style)
AIT-74V	74	4	13	57	18	12 x 1,5	13,5	Volvo
AIT-81AR	81	5	19	57	22 x 19	12 x 1,5	12	Alfa Romeo (old style)
AIT-84J	84	5	7	72	17	1/2" UNF	13,4	Jaguar
AIT-55F	55	5	15	35	20	14 x 1,5	14,9	VW/ Audi/Porsche
AIT-74NSR	74	6	14	54	24	5/8"	17,5	Nascar
AIT-108NSR	108	6	14	88	24	5/8"	17,5	Nascar

CONICAL SEAT NUT

Ref.	A	B	C	D	E	Application
AIT-DADO	25	23	14	19	12 x 1,25	Universal application
AIT-DADO1	25	23	14	19	12 x 1,5	Universal application
AIT-DADO2	28	28	13	19	12 x 1,5	Ford Motorsport
AIT-DADO4	27	25	16	22	14 x 1,5	Gr. A/WRC/VW
AIT-DADO6	27	25	16	19	14 x 1,5	Gr. A/WRC/VW
AIT-DADO9	27	25	15	17	12 x 1,25	Universal application
AIT-DADO10	33	23	23	19	12 x 1,5	Mitsubishi
AIT-DADO12	28,5	28	16	19	12 x 1,5	Opel
AIT-DADO15	27	25	16	3/4"	1/2 UNF	Jaguar/Usa
AIT-DADO18	25	23	15,5	17	12 x 1,5	Opel
AIT-DAAL	27	22	19	19	12 x 1,25	Universal application
AIT-DAAL1	27	22	19	19	12 x 1,5	Universal application
AIT-DAAL2	34	22	20	19	12 x 1,25	Universal application
AIT-DAAL3	34	22	20	19	12 x 1,5	Ford/Universal appl.
AIT-DAAL6	27	25	16	19	14 x 1,5	VW/Porsche
AIT-DAAL11	28	28	13	19	12 x 1,5	Ford Motorsport
AIT-DAAL15	27	25	16	3/4"	1/2 UNF	Jaguar/Usa

FLAT SEAT NUT

Ref.	A	B	C	D	E	Application
AIT-DADO3	29	28	21	19	12 x 1,25	Peugeot/Citroen

CONICAL SEAT NUT

Ref.	A	B	C	D	E	Application
AIT-DADO5	28	25	17	19	14 x 1,5	VW/Audi
AIT-DADO7	28	25	17	17	12 x 1,25	Renault
AIT-DADO8	27	25	15	17	12 x 1,25	Universal application
AIT-DADO19	27	25	17,5	17	12 x 1,5	Opel/Universal appl.
AIT-DAAL8	31	25	20	19	14 x 1,5	VW -Porsche

Note: The Ergal nuts (DAAL) are available a stock only black colour, six colours choices to order (minimum order 300 pieces).

AIT-DADO= STEEL MADE
AIT-DAAL= ALUMINIUM MADE

DOUBLE THREAD XAB STUD (reinforced root)

Ref.	A	B	C	D	E	F	G	Application
AIT-70XA	70	13	12	45	12 x 1,25	12 x 1,25	18 x 15	Universal application
AIT-70XB	70	13	12	45	12 x 1,5	12 x 1,25	18 x 15	Universal application
AIT-84XA	84	13	12	59	12 x 1,25	12 x 1,25	18 x 15	Universal application
AIT-84XB	84	13	12	59	12 x 1,5	12 x 1,25	18 x 15	Universal application
AIT-90XD	90	15	12	63	1/2" UNF	1/2" UNF	18 x 9/16"	Universal application

DOUBLE THREAD STUD (for universal applications)

Ref.	A	B	C	D	E	Application
AIT-68A	68	15	46	12 x 1,25	12 x 1,25	Universal application
AIT-82A	82	15	59	12 x 1,25	12 x 1,25	Universal application
AIT-100A	100	15	77	12 x 1,25	12 x 1,25	Universal application
AIT-68B	68	15	46	12 x 1,25	12 x 1,5	Universal application
AIT-82B	82	15	59	12 x 1,25	12 x 1,5	Universal application
AIT-100B	100	15	77	12 x 1,25	12 x 1,5	Universal application
AIT-68F	68	15	46	14 x 1,5	14 x 1,5	VW/Audi
AIT-82F	82	15	59	14 x 1,5	14 x 1,5	VW/Audi
AIT-100F	100	15	77	14 x 1,5	14 x 1,5	VW/Audi
AIT-700P	70	15	47	12 x 1,5	12 x 1,5	Opel
AIT-900P	90	15	67	12 x 1,5	12 x 1,5	Opel
AIT-1000P	100	15	77	12 x 1,5	12 x 1,5	Opel
AIT-71M	71	15	48	14 x 1,25	14 x 1,25	Bmw Mini 06/07
AIT-80M	80	15	57	14 x 1,25	14 x 1,25	Bmw Mini 06/07
AIT-65PC	65	15	43	14 x 1,5	14 x 1,5	Porsche Cayman

CONICAL SEAT BOLT

Ref.	A	B	D	E	F
AIT-BA75	75	14	48	19	12 x 1,25
AIT-BB75	75	14	48	19	12 x 1,5
AIT-BL75	75	14	48	17	14 x 1,5
AIT-BH75	75	14	46	19	12 x 1,75
AIT-BG75	75	14	48	17	12 x 1,5

FLAT SEAT BOLT

Ref.	A	B	D	E	F
AIT-BP80	80	20	54	19	12 x 1,25

SPHERICAL SEAT BOLT

Ref.	A	B	D	E	F
AIT-BF75	75	14	54	19	14 x 1,5
AIT-BM75	75	14	74	17	12 x 1,5
AIT-BM85	85	14	64	17	12 x 1,5

Clutch drive discs, pressure plates and lightweight steel flywheels



Advanced Innovation Technology clutches are manufactured to a design to meet the demands of the driver who does not require an ultimate specification or the expense of full competition components. A.I.Tech drive discs & covers are ideal for private entrants in national rally & race applications. Sprung clutch discs for fast road use, solid clutch discs for competition.

Ref.	Description	Diameter	Spline
AIT10160	FIAT	160 mm	17 mm x 20 s
AIT10170	FIAT-AUTOBIANCHI-CINQUECENTO	170 mm	17 mm x 20 s
AIT10171	FIAT	170 mm	19 mm x 17 s
AIT10180	FIAT-CINQUECENTO SPORTING/600 SP.	180 mm	17 mm x 20 s
AIT10181	FIAT	180 mm	19 mm x 17 s
AIT10182	FIAT	180 mm	23 mm x 20 s
AIT10190	FIAT-UNO TURBO until year 1988	190 mm	19 mm x 17 s
AIT10191	FIAT-UNO TURBO after year 1988	190 mm	23 mm x 20 s
AIT10192	FIAT PUNTO SX-ELX 1580	190 mm	17 mm x 20 s
AIT10200	FIAT-UNO TURBO after year 1990- LANCIA	200 mm	23 mm x 20 s
AIT10201	FIAT	200 mm	19 mm x 17 s
AIT10215	FIAT LANCIA	215 mm	23 mm x 20 s
AIT10216	FIAT	215 mm	19 mm x 17 s
AIT10230	FIAT-LANCIA-ALFA ROMEO-PORSCHE 911	230 mm	23 mm x 20 s
AIT10193	LANCIA DELTA GR. A (double disc)	190 mm	25,4 mm x 23 s
AIT20180	PEUGEOT 205 1,3 RALLY - 106 RALLY	180 mm	21 mm x 18 s
AIT20181	PEUGEOT	200 mm	17 mm x 20 s
AIT20200	P.205/309-106 1,6 16V-C.SAXO 1,6 Lt. 16v	200 mm	21 mm x 18 s
AIT20215	PEUGEOT 309 16V/405	215 mm	21 mm x 18 s
AIT20230	PEUGEOT 206 2000 16V WRC	230 mm	21 mm x 18 s
AIT30190	CORSA 1200	190 mm	18,5 mm x 14 s
AIT30200	OPEL CORSA GSI	200 mm	18,5 mm x 14 s
AIT30201	OPEL	215 mm	25 mm x 14 s
AIT30215	OPEL KADETT GSI 1,8/2,0	215 mm	21 mm x 24 s
AIT30216	OPEL	215 mm	25 mm x 14 s
AIT30225	OPEL KADETT GSI 16V	228 mm	21 mm x 24 s
AIT30228	OPEL	228 mm	25 mm x 14 s
AIT40180	RENAULT	180 mm	17 mm x 20 s
AIT40190	RENAULT	190 mm	17 mm x 20 s
AIT40200	RENAULT 5 GTT./CLIO 16V/WILLIAMS	200 mm	22 mm x 26 s
AIT40215	RENAULT MEGANE 2.0lt. 16V/CLIO RS	215 mm	22 mm x 26 s
AIT40216	RENAULT ALPINE A110	215 mm	24 mm x 21 s
AIT45190	ROVER	190 mm	21 mm x 18 s
AIT45200	ROVER 216	200 mm	21 mm x 18 s
AIT45215	ROVER	215 mm	25,5 mm x 24 s
AIT50190	VOLKSWAGEN	190 mm	21 mm x 24 s
AIT50200	VOLKSWAGEN/ALFA ROMEO	200 mm	21 mm x 24 s
AIT50201	ALFA ROMEO GTA	200 mm	22,1 mm x 28 s

Ref.	Description	Diameter	Spline
AIT50203	ALFA GIULIA 1300/1500	200 mm	25,5 mm x 10 s
AIT50210	VOLKSWAGEN	210 mm	21 mm x 24 s
AIT50211	VOLKSWAGEN GOLF 16V	210 mm	22,1 mm x 28 s
AIT50215	VOLKSWAGEN	215 mm	21,1 mm x 24 s
AIT50216	ALFA 1750-GIULIA 1,3/1,6	215 mm	25,5 mm x 10 s
AIT50218	ALFA 75 TURBO	215 mm	22 mm x 19 s
AIT50225	VOLKSWAGEN - SEAT	225 mm	22,1 mm x 28 s
AIT60190	FORD KA	190 mm	19,7 mm x 17 s
AIT60200	FORD ESCORT RS	200 mm	19 mm x 17 s
AIT60215	FORD RS 2000 MK II	215 mm	26 mm x 23 s
AIT60220	FORD FIESTA/ESCORT TURBO	220 mm	19 mm x 17 s
AIT60240	FORD SIERRA/ESCORT COSW.	240 mm	25,4 mm x 23 s
AIT65180	INNOCENTI MINI MINOR	180 mm	53 mm x 32 s
AIT65190	INNOCENTI IM3	190 mm	53 mm x 32 s
AIT70215	BMW316	215 mm	29 mm x 10 s
AIT70225	BMW - MINICOOPER	225 mm	28 mm x 20 s
AIT70230	BMW M3 E30	230 mm	29 mm x 10 s
AIT70240	BMW M3 E36	240 mm	29 mm x 10 s
AIT80180	SUZUKI	180 mm	20 mm x 18 s
AIT80190	SUZUKI 1,3	190 mm	22,2 mm x 20 s
AIT80191	SUZUKI SWIFT	190 mm	19 mm x 18 s
AIT80200	SUZUKI	200 mm	22,2 mm x 20 s
AIT81200	HONDA CIVIC ACCORD 16V	200 mm	22 mm x 21 s
AIT81201	HONDA CIVIC 16V	200 mm	22,5 mm x 20 s
AIT81215	HONDA CIVIC V TECH	214 mm	22,5 mm x 20 s
AIT81216	HONDA INTEGRA	215 mm	26 mm x 24 s
AIT82225	MAZDA 323 GTX	225 mm	22,2 mm x 20 s
AIT85230	SUBARU IMPREZA	228 mm	25,5 mm x 24 s
AIT85232	SUBARU NUOVA IMPREZA WRX (Tr. rally)	228 mm	24,2 mm x 24 s
AIT85240	SUBARU IMPREZA Sti	240 mm	25,5 mm x 24 s
AIT87240	NISSAN PATROL TERRANO	241 mm	25,5 mm x 24 s
AIT88215	MITSUBISHI PAJERO	215 mm	25,5 mm x 24 s
AIT88225	MITSUBISHI EVO I-II-III	228 mm	25,4 mm x 23 s
AIT88226	MITSUBISHI	228 mm	25,4 mm x 23 s
AIT88230	MITSUBISHI EVO IV-V/PAJERO	230 mm	26 mm x 23 s
AIT88240	MITSUBISHI	240 mm	29 mm x 14 s
AIT88242	MITSUBISHI EVO VII	240 mm	25,4 mm x 23 s
AIT88250	MITSUBISHI	250 mm	26 mm x 23 s

Fibre drive discs and uprated clutch pressure plates assemblies

Fibre spring hub drive discs This range of A.I.Tech drive disc is suitable for uprated fast road cars. The disc has stronger take up springs & high temperature fibre friction material by FERODO. These discs to be used in conjunction with our special reinforced clutch covers.

Ref.	Description	Diameter	Spline	Ref.	Description	Diameter	Spline
AIT10180PS	FIAT-CINQUECENTO SPORTING/600 SP.	180 mm	17 mm x 20 s	AIT20200PS	PEUGEOT 205/309/106/SAXO VTS	200 mm	21 mm x 18 s
AIT10190PS	FIAT UNO TURBO untill year 1988	190 mm	19 mm x 17 s	AIT20215PS	PEUGEOT 309 16V/405/306	215 mm	21 mm x 18 s
AIT10191PS	FIAT UNO TURBO after year 1988	190 mm	23 mm x 20 s	AIT40200PS	RENAULT 5 GTT/CLIO 16V/WILLIAMS	200 mm	22 mm x 26 s
AIT10200PS	FIAT UNO TURBO after year 1990	200 mm	23 mm x 20 s	AIT40215PS	RENAULT MEGANE	215 mm	22 mm x 26 s
AIT10215PS	FIAT-LANCIA-ALFA ROMEO	215 mm	23 mm x 20 s	AIT60185PS	FORD/MG	185 mm	25,4 mm x 24 s
AIT10230PS	FIAT-LANCIA-ALFA ROMEO	230 mm	23 mm x 20 s	AIT60200PS	FORD ESCORT RS	200 mm	19 mm x 17 s
AIT20180PS	PEUGEOT 1,3 RALLY/AX	180 mm	21 mm x 18 s	AIT60240PS	FORD SIERRA/ESCORT	240 mm	25,4 mm x 23 s

This uprated clutch cover are a direct replacement for the standard unit, having a stronger diaphragm giving a 30% extra clamp load. Best results with the **A.I.Tech.** drive discs.

Ref.	Application
AIT-160	Clutch cover for FAT 160 mm drive disc
AIT-170	Clutch cover for FIAT 170 mm drive disc
AIT-180	Clutch cover for FIAT and PEUGEOT 180 mm drive disc
AIT-190	Clutch cover for FIAT 190 mm drive disc
AIT-200	Clutch cover for FIAT 200 mm drive disc
AIT-200A	Clutch cover for PEUGEOT 200 mm drive disc
AIT-200B	Clutch cover for RENAULT 200 mm drive disc
AIT-200C	Clutch cover for OPEL CORSA 8V 200 mm drive disc
AIT-200CC	Clutch cover for OPEL CORSA 16V 200 mm drive disc (Standard type flywheel)
AIT-200D	Clutch cover for VOLKSWAGEN 200 mm drive disc
AIT-200F	Clutch cover for ALFA ROMEO 200 mm drive disc
AIT-200AA	Clutch cover for PEUGEOT106 S16 & CITROEN SAXO VTS 200 mm drive disc
AIT-200AB	Clutch cover for PEUGEOT/ROVER 200mm drive disc
AIT-200S	Clutch cover for SUZUKI 200 mm drive disc
AIT-210D	Clutch cover for VOLKSWAGEN 210 mm drive disc
AIT-215	Clutch cover for FIAT 215 mm drive disc
AIT-215A	Clutch cover for PEUGEOT 215 mm drive disc
AIT-215B	Clutch cover for RENAULT CLIO RS-MEGANE COACH 215 mm drive disc
AIT-215C	Clutch cover for OPEL 215 mm drive disc
AIT-215D	Clutch cover for VOLKSWAGEN 215 mm drive disc
AIT-215P	Clutch cover for FIAT PUNTO 215 mm drive disc
AIT-230	Clutch cover for FIAT-LANCIA-ALFA ROMEO 230 mm drive disc
AIT-230AR	Clutch cover for ALFA ROMEO 156 230 mm drive disc
AIT-230C	Clutch cover for OPEL 228 mm drive disc
AIT-230CC	Clutch cover for OPEL 228 mm drive disc (Pot type flywheel)
AIT-230D	Clutch cover for VOLKSWAGEN 230 mm drive disc
AIT-240	Clutch cover for FORD COSW. 240 mm drive disc
AIT-230A/N	Clutch cover for LANCIA DELTA EVO & 16V & A.ROMEO 155 Q4 230 mm drive disc (2011 version)
AIT-230M	Clutch cover for MITSUBISHI IV-V 230 mm drive disc (only with O.E. returned part)
AIT-230S	Clutch cover for SUBARU IMPREZA 230 mm drive disc (only with O.E. returned part)
AIT-240M	Clutch cover for MITSUBUSHI EVO VII (only with O.E. returned part)
AIT-240S	Clutch cover for SUBAUR IMPREZA STI 240 mm (only with O.E. returned part)
AIT-JTD KIT	FIAT-LANCIA JTD clutch assy. Composed by: organic material drive disc, pressure plate cover and release bearing
AIT-JTD AR KIT	ALFA ROMEO JTD clutch assy. Composed by: organic material drive disc, pressure plate cover and release bearing
AIT-HDI-P KIT	PEUGEOT HDI clutch assy. Composed by: organic material drive disc, pressure plate cover and release bearing

SPECIAL DASHBOARD, GAUGES AND CHRONOMETERS



AIT-PRO TACK EVO



AIT-RT3

AIT-PRO TACK EVO

High performance digital dashboard unit that can be installed in any type of car. The instrument panel also offers the typical information found on a street car dashboard with directional indicator lights and a graphic LCD panel that shows a real time view of the car's parameters.

Suitable for sport prototypes, formula cars, touring and rally cars. Features a graphic LCD panel, 4 hours of data logging, 999 laps memory using optional trackside beacon and optical onboard sensor, CAN BUS (for optional expansion). USB, firmware upgradable (downloadable free of charge from website). It is supplied complete with wiring harness, sensors, PC software and manual.

Dimension: 160 x 85 x 40 mm.

AIT-RT3

Circuit chronometer with waterproof membrane function keyboard and digit time display with 0.01 sec. accuracy.

Features: 250 laps memory, intermediate time, best time, connection to PC or printer. It is supplied complete with PC software and cable.

Dimension: 100 x 65 x 24 mm only.



AIT-PRO REV

This tachometer can be used with any type of 2 or 4 stroke engine with one or more coils using the tacho output of the ignition system, or connecting in to one of the available coils.

Features: 10 programmable shift lights, RPM peak value record, 6 hours data Logger (optional).

Dimension: 80 mm diam. - 58 mm. deep.



AIT-RT2/11

This all new Rally chronometer uses the highest quality processors built into a rugged case (100 x 65 x 24 mm) for reliability in the toughest conditions.

A.I. Tech continued quest for innovation has produced the RT2/11 chronometer. Designed for co-drivers by co-drivers, the RT2 is packed with no nonsense features to meet the requirements of rally crews in today's high tech sport.

Cost is always important and to that end we have come up with a Chronometer with an excellent list of features at a very competitive price.

Time stops for no-one!

EXTRA-LIGHT STARTER BATTERIES ENERGA



ULTRA LIGHT WEIGHT BATTERIES FROM TECN02 BY ENERGA

Generally 5 times lighter than equivalent Lead Acid batteries.

ENERGA manufacture a range of Li Po Lithium batteries for all race/rally applications. They deliver unequalled cranking currents for longer, whilst maintaining high voltages, even in the coldest of starts. Battery life of the Lithium battery is also extremely long outlasting most competitors.

They are fully compatible with all 12 volts electrical systems (alternator, alarm system, electronic devices, etc...) and so replaceable to the standard lead-acid batteries. An other strength of lithium batteries is the duration since the expected life is greater than 5 years.

The ENERGA Lithium batteries range of batteries 7Ah, to 100Ah equivalent and up to 1200 Amp max discharge current.

The **A.I.Tech**, batteries range is completed with many special accessories. For further informations ask to: info@aitechitaly.com

Ref.	LITH 2,3 Ah	LITH 4,6 Ah	LITH 6,9 Ah	LITH 9,2 Ah	LITH 12,3 Ah	LITH 16,4 Ah	LITH 24,6 Ah
Model	13-3A	13-5A	13-7A	13-9R	13-12R	13-17R	13-25R
Case	PVC	PVC	PVC	All. / PE	All. / PE	All. / PE	All. / PE
Nominal voltage	13,2 Volt	13,2 Volt	13,2 Volt	13,2 Volt	13,2 Volt	13,2 Volt	13,2 Volt
Capacity	2,3 A/h	4,6 A/h	6,9 A/h	9,2 A/h	12,3 A/h	16,4 A/h	24,6 A/h
Max charge voltage	14,4 Volt	14,4 Volt	14,4 Volt	14,4 Volt	14,4 Volt	14,4 Volt	14,4 Volt
Min discharge voltage	8 Volt	8 Volt	8 Volt	8 Volt	8 Volt	8 Volt	8 Volt
Max charge current	8 A	16 A	24 A	32 A	48 A	64 A	80 A
Max discharge current (5 sec.)	120 A	240 A	360 A	480 A	600 A	800 A	1200 A
Pole +	Right	Right	Right	Right	Right	Right	Right
Dimensions	112 x 34 h 111 mm	118 x 80 h 94 mm	118 x 88 h 111 mm	139 x 93 h 155 mm	139 x 93 h 155 mm	166 x 93 h 165 mm	247 x 93 h 165 mm
Weight	500 g	900 gr	1280 gr	1670 gr	2250 gr	2830 gr	4350 gr
It replaces the lead batteries with capacity up to...	7 Ah	10 Ah	20 Ah	35 Ah	50 Ah	70 Ah	100 Ah

SPECIAL OPTIONS FOR ENERGA BATTERIES

LITH/BMS	BMS electronic circuit integrated (models 13-3, 13-5, 13-7 excluded)
LITH/CHA14-1.5	Lithium battery charger mod. C14-1.5 (1,5 Ampere)
LITH/CHA14-6	Lithium battery charger mod. C14-6 (6 Ampere)
LITH/CHA14-10	Lithium battery charger mod. C14-10 (10 Ampere)
LITH/BRK	Hold-Down Bracket (models 13-3, 13-5 excluded)
LITH/POLE	Car adapter poles (couple)

PORTABLE VERSION

Three versions (LITH12,3Ah - LITH16,4Ah - LITH24.6Ah) are available without charge in all models. These batteries, with aluminium/PE case, without the traditional fixed connection poles are equipped with Anderson connector (easy to use cable) and handle. They are ideal for applications where light weight, small size and high capacity are required.

Advanced Innovation Technology products are distributed by:



www.aitechitaly.com